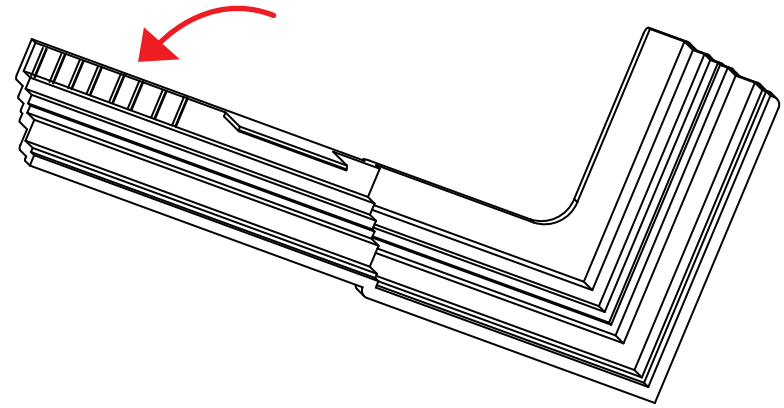
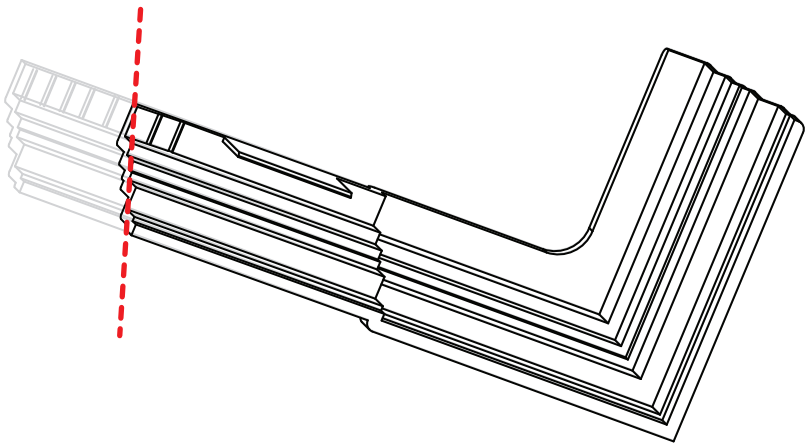


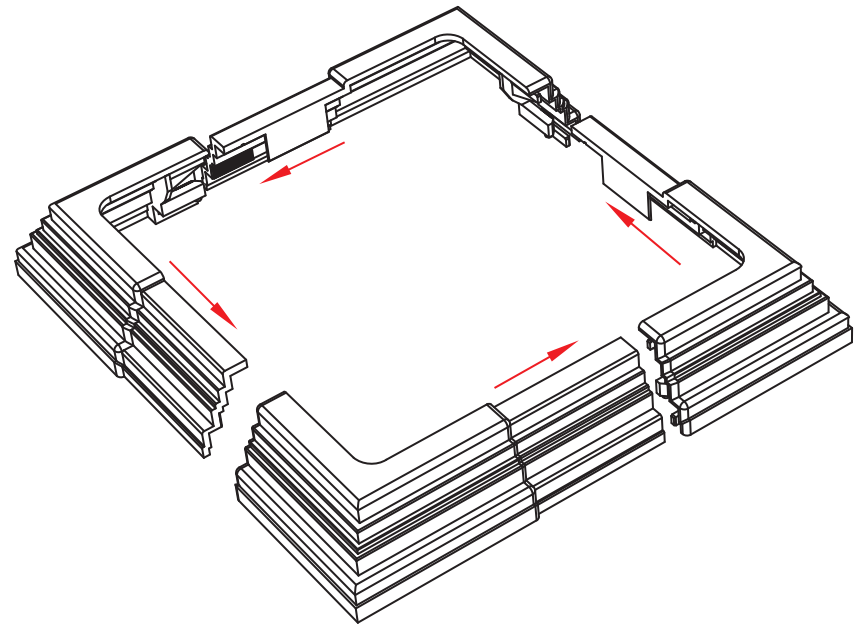
1. Measure O.D. (Outside Dimension) of Post Sleeve.



2. Find corresponding dimension on underside of trim ring flange.



3. Cut square all four trim ring sections with tin snips or with saw.



4. Place trim ring at corner of post and insert cut end into female ends of trim ring and continue on all sections of trim ring.